

### LEGEND



**plumbable area shaded**  
do not plumb outside of shaded area

**CD**

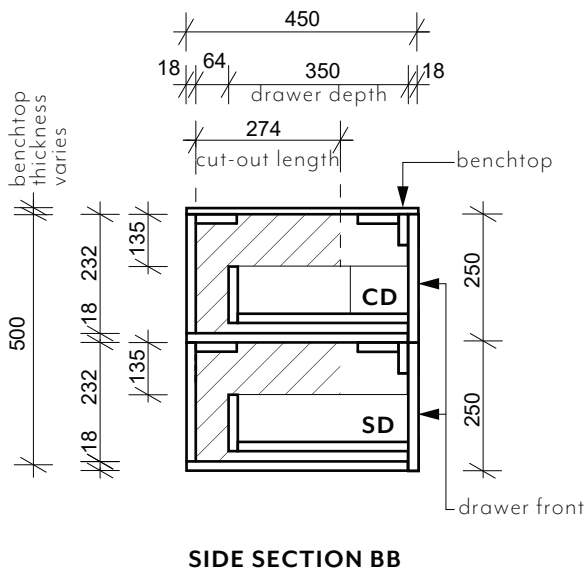
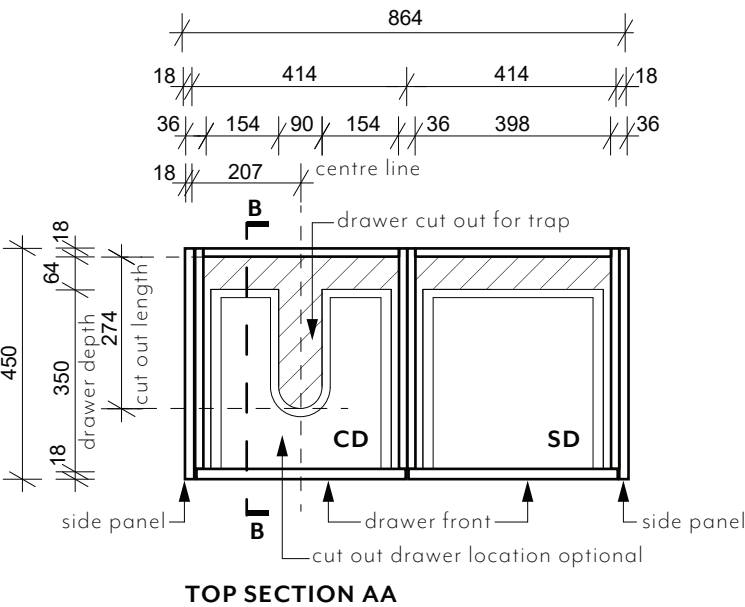
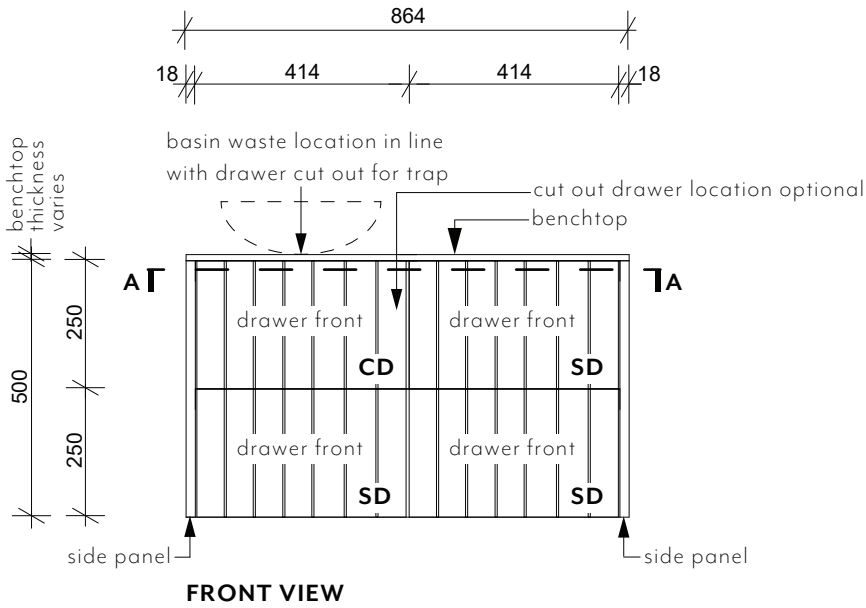
**cut out drawer**  
with centre cut out for trap

**SD**

**standard drawer**  
no cut out for trap

**Note:** Dimensions are nominal measurements only

**Note:** See checkout for vanity benchtop options



### LEGEND



**plumbable area shaded**  
do not plumb outside of shaded area

**CD**

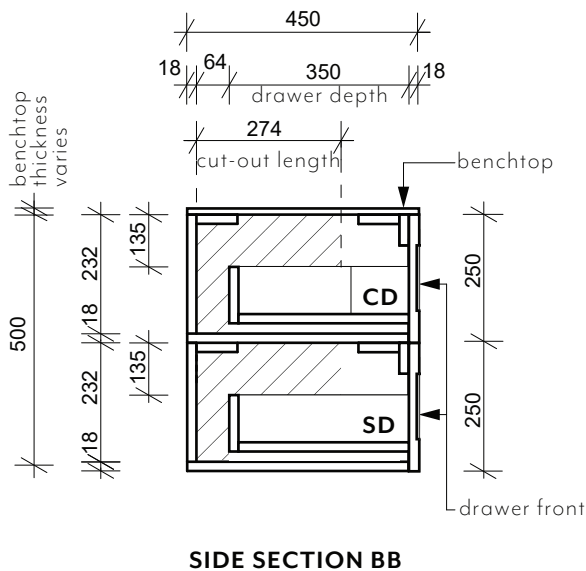
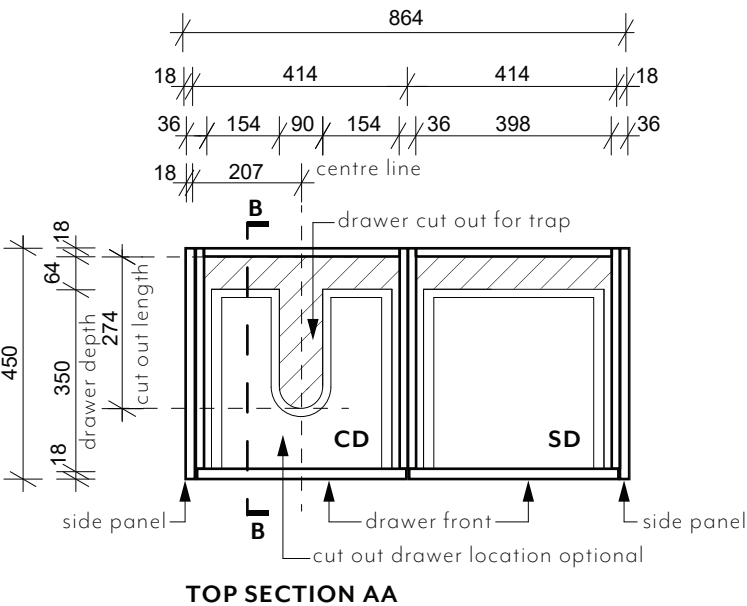
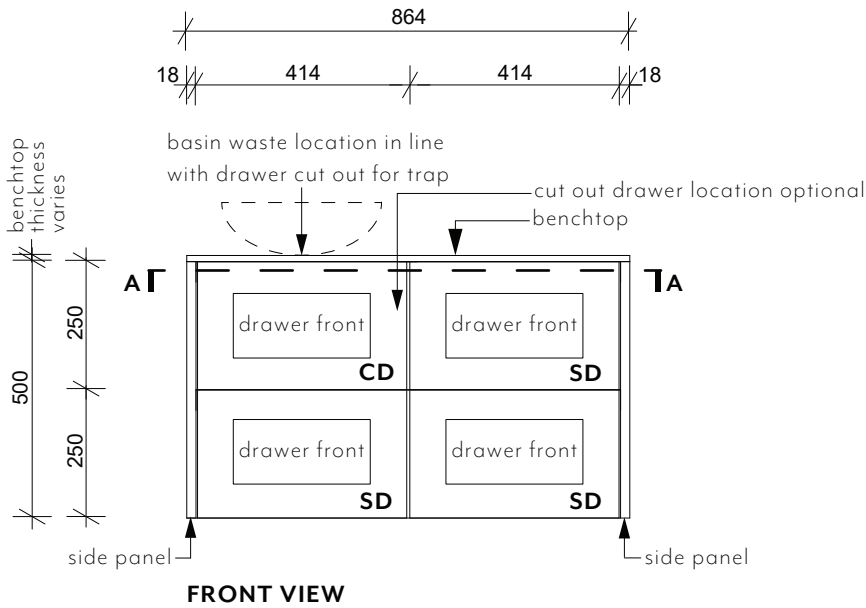
**cut out drawer**  
with centre cut out for trap

**SD**

**standard drawer**  
no cut out for trap

**Note:** Dimensions are nominal measurements only

**Note:** See checkout for vanity benchtop options



### LEGEND



**plumbable area shaded**  
do not plumb outside of shaded area

**CD**

**cut out drawer**  
with centre cut out for trap

**SD**

**standard drawer**  
no cut out for trap

**Note:** Dimensions are nominal measurements only

**Note:** See checkout for vanity benchtop options

# GENERAL WALL HUNG VANITY INSTALLATION GUIDE



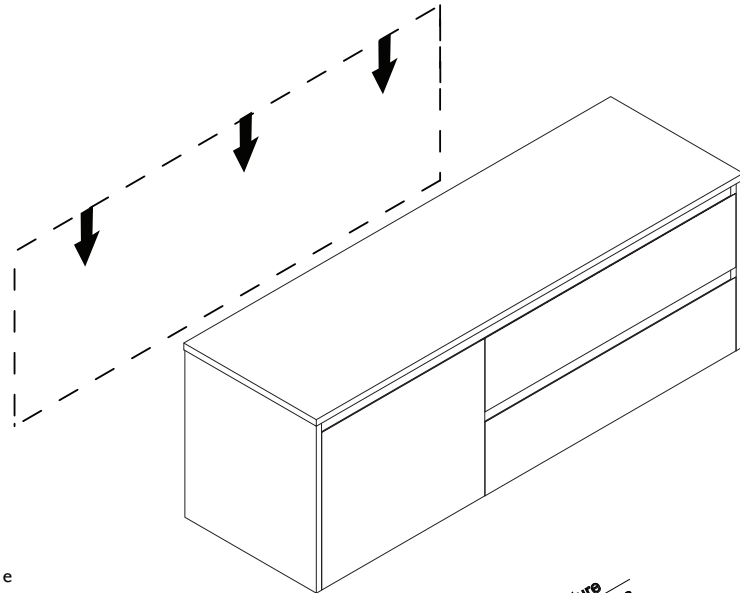
## Notes:

This installation guide is general and covers our wall hung vanity range, the vanity illustrated may not be the same as your purchased vanity.

This product must be installed by a licensed tradesperson. This is a general installation guide there are many factors that are involved that can alter the installation method.

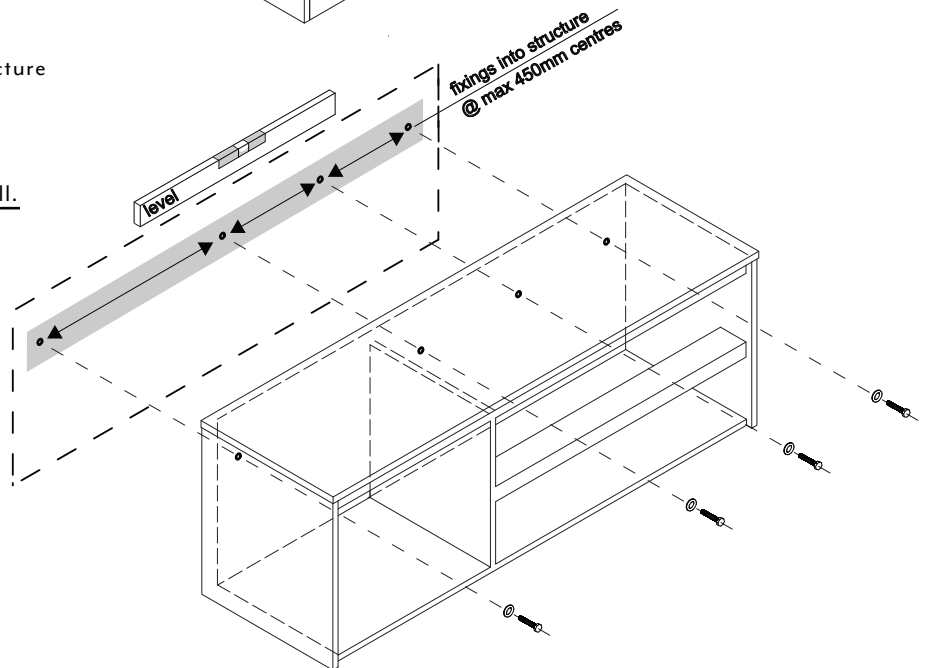
Our vanities do not come with pre-cut holes to stone or timber for your bench mixers and basins. These are to be cut by the purchaser at their discretion, as per ohs regulatory guidelines.

- 1 Check the desired height of vanity from floor.



- 2 If correct height and position is suitable, level the top of the vanity & mark out desired position. Drill holes through the back of vanity into structure within wall.

**Notes:** ensure adequate fixings are fixed at maximum 450 centres into structure within wall.  
ABI takes no responsibility if vanity is not fixed into wall structure.  
Fixings and drill bit not included in vanity purchase.



- 3 Silicon top and sides of vanity if necessary.

