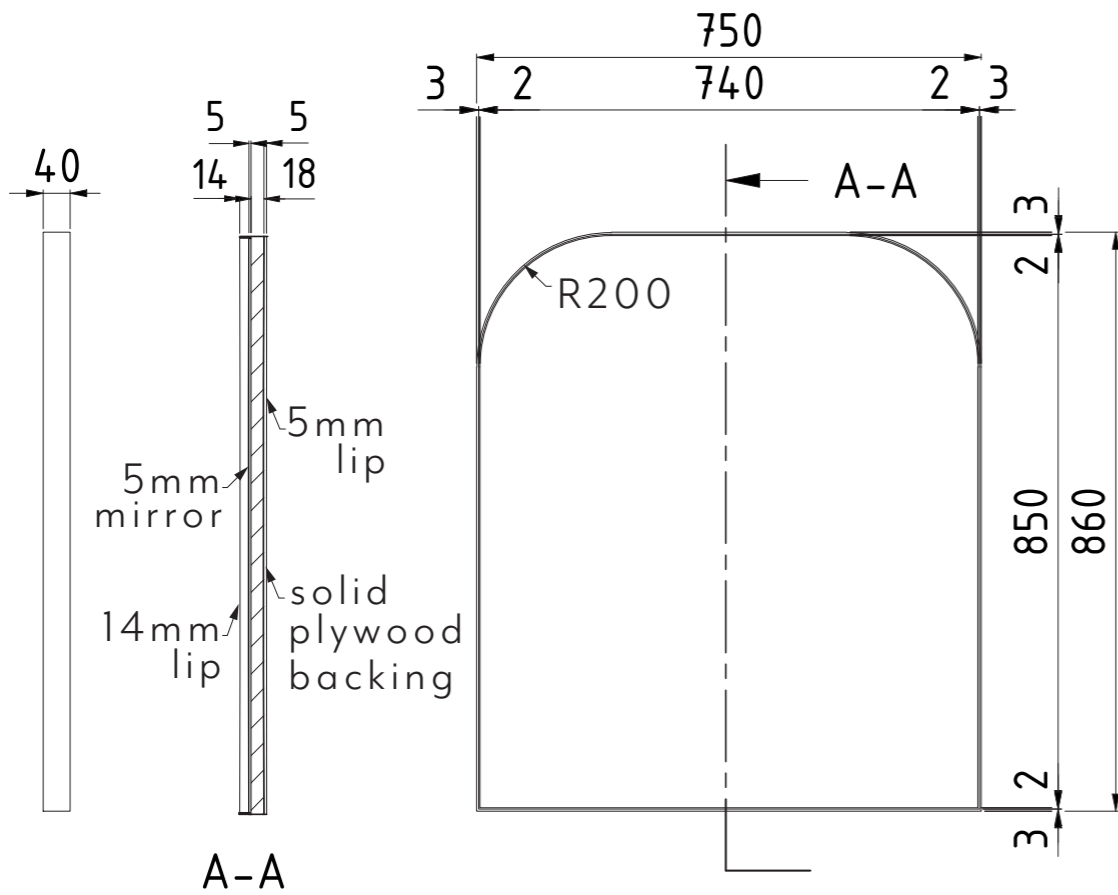
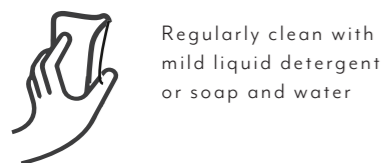


Note: This product must be installed by a licensed tradesperson. This is a general installation guide - there are many factors that are involved that can alter the installation method.

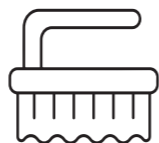


Note: Dimensions are nominal measurements only

SPECIFICATIONS	
RECOMMENDED USE	Domestic
COLOUR AVAILABILITY	
MATERIAL	Stainless Steel / Plywood
FINISH	Stainless Steel - Brushed Brass, Brushed Copper, Brushed Gunmetal, Brushed Stainless & Chrome Lacquer - Matte Black & White
WARRANTY	Structure: 5 years Finish: 2 years



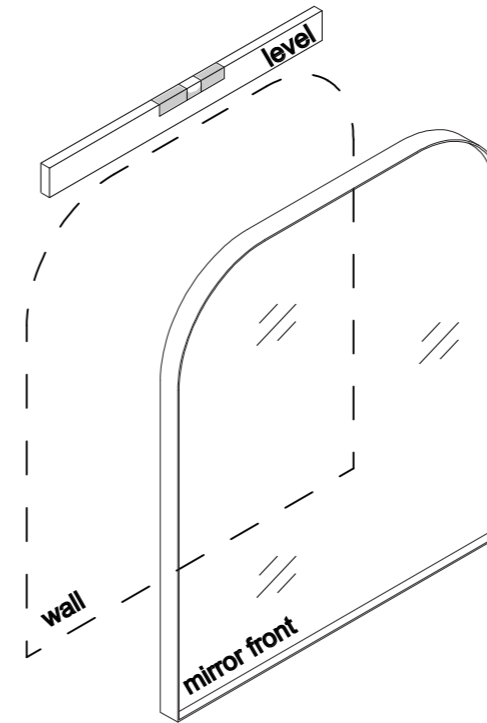
DO NOT use cream cleaners or bleach. These substances are abrasive



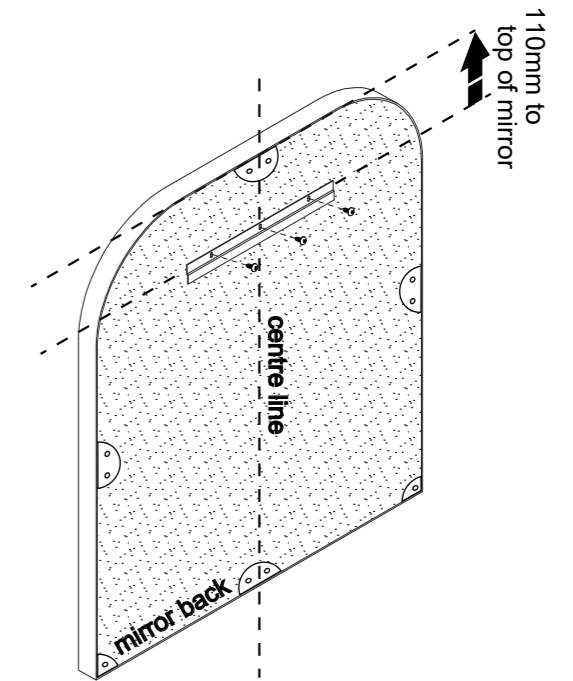
DO NOT use cleaning pads with abrasive surfaces as this may scratch the material

Disclaimer: Products in this specification manual must by regulation be installed by licensed and registered trade people. The manufacturer/distributor reserves the right to vary specifications or delete models from their range without prior notification. Dimensions are nominal measurements only. Dimensions and set-outs listed are correct at time of publication however the manufacturer/distributor takes no responsibility for printing errors. All ABI Products are designed in Australia. Copyright ABI Interiors 2019. WWW.ABIINTERIORS.COM.AU

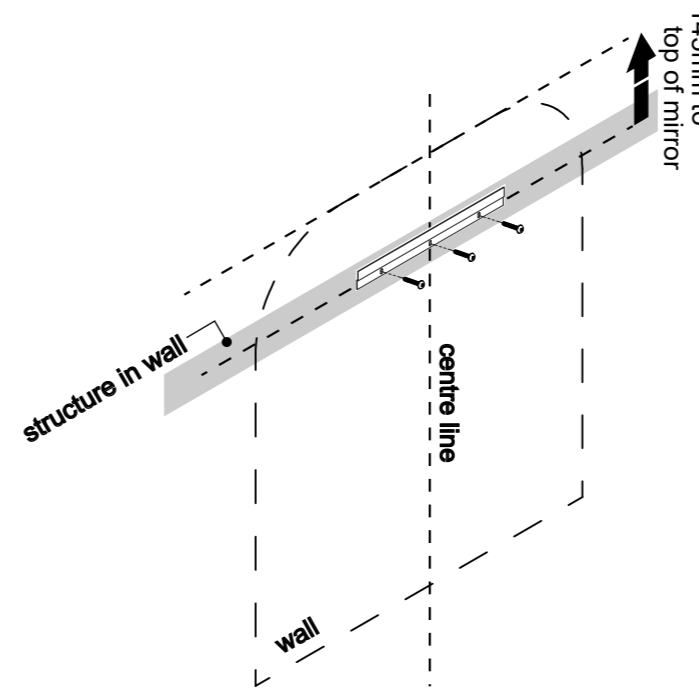
1 Check the correct height and position is suitable, level the top of the mirror & mark out desired position



2 Using the screws provided, fix brackets to back of mirror as per the positions in the diagram below.



3 Position the wall fixing brackets with measurements taken from the mirror bracket positions. Using the screws provided fix wall brackets into structural support in wall.



4 Mount mirror to wall by lining up mirror with marked position on wall & lowering the mirror brackets into wall brackets.

