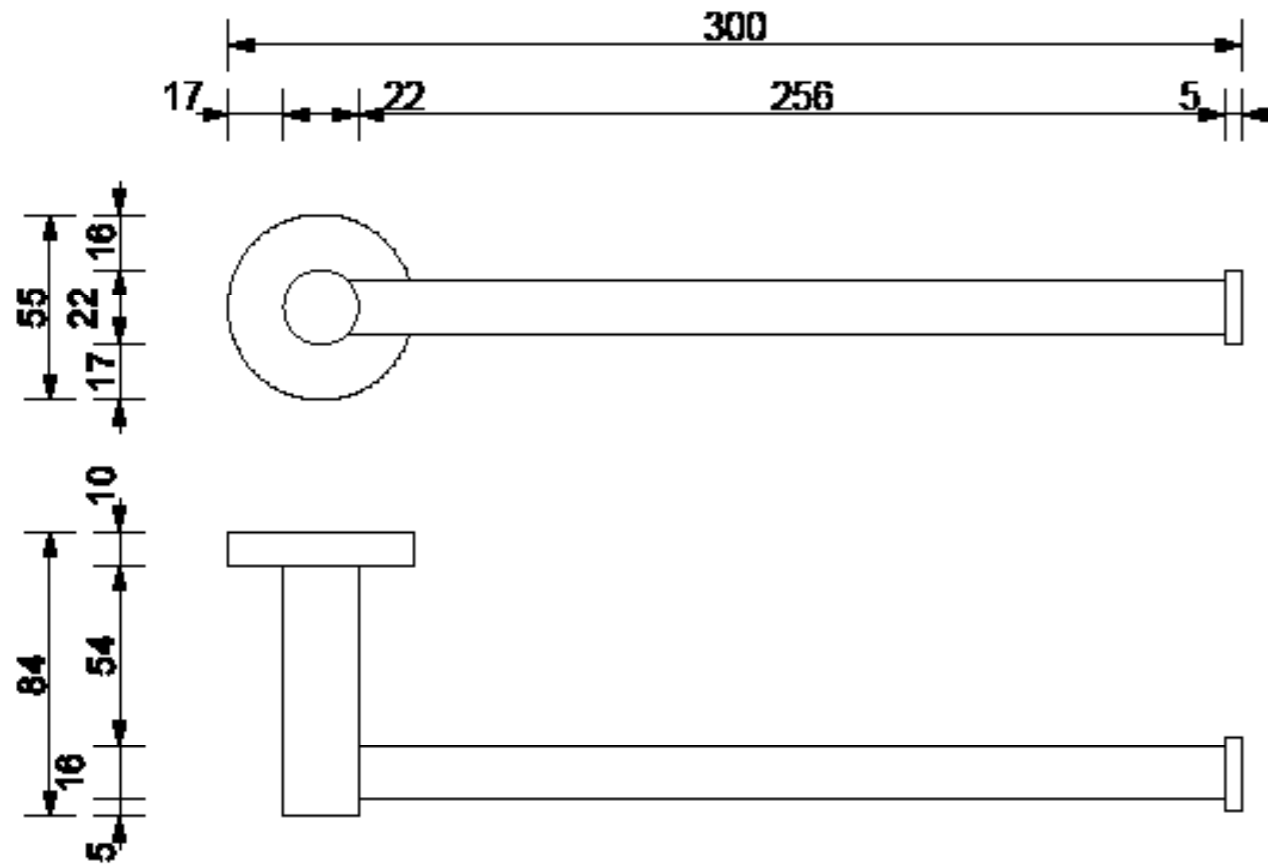




CALI MULTIPURPOSE HOLDER



SPECIFICATIONS

RECOMMENDED USE

Domestic

COLOUR AVAILABILITY



MATERIAL

Solid Brass

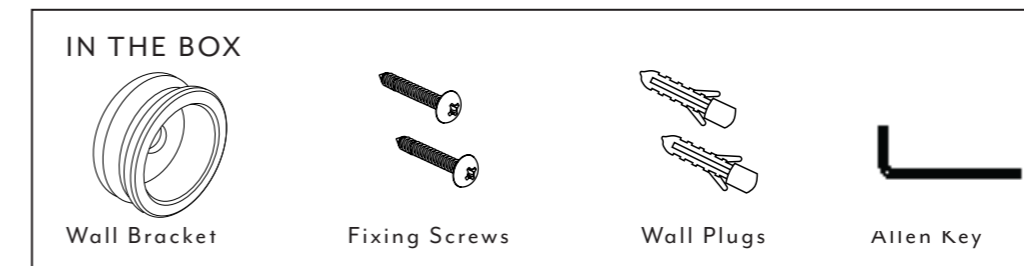
WARRANTY

Structure: 10 years | Finish: 5 years



CALI MULTIPURPOSE HOLDER

INSTALLATION MANUAL

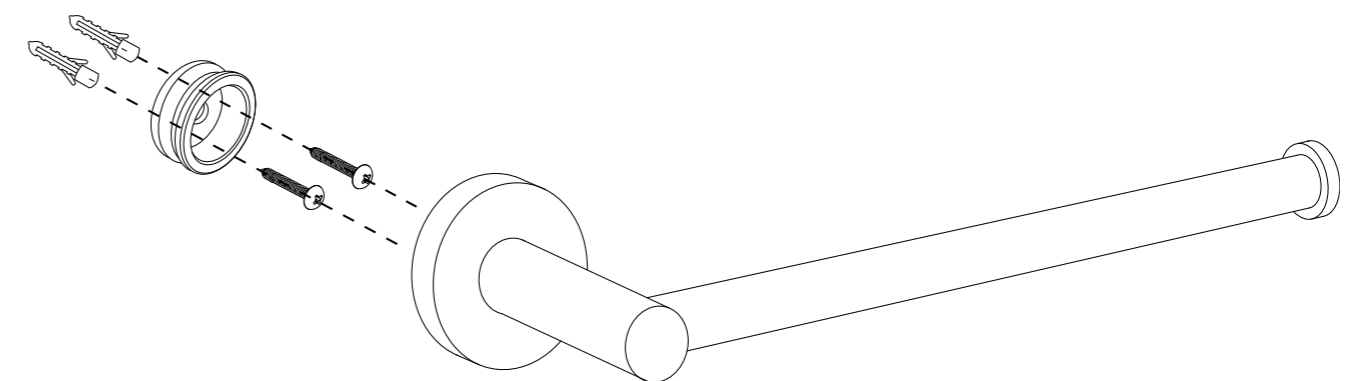


STEP ONE: Drill holes in desired position and insert wall plugs

STEP TWO: Remove bracket from the Toilet Roll Holder using the allen key to loosen the grub screw. Install bracket by fastening the supplied screws into the wall plugs

STEP THREE: Place the Toilet Roll Holder onto the bracket and firmly tighten grub screw using allen key

IMPORTANT - If installing onto plasterboard please use appropriate fixings



Regularly clean with mild liquid detergent or soap and water



DO NOT use cream cleaners or bleach. These substances are abrasive



DO NOT use cleaning pads with abrasive surfaces as this may scratch the material