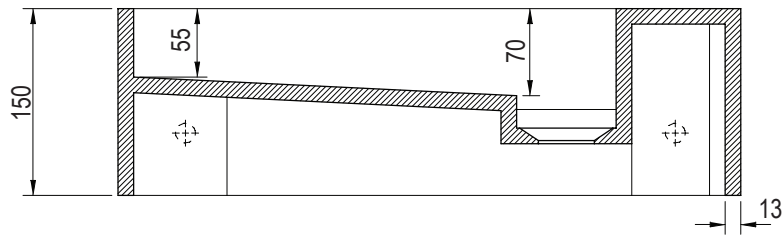


Top View



Section A : A

**Note:** Dimensions are nominal measurements only

## SPECIFICATIONS

### RECOMMENDED USE

Domestic

### COLOUR AVAILABILITY

Matte White

### MATERIAL

Solid Surface

### INSTALLATION

Wall Mounted

\*To be used with a bench mounted mixer or a spout with reach less than 110mm

**Note: water tap hoses are not able to be concealed under basin.**

### OVERFLOW

N/A

### WARRANTY

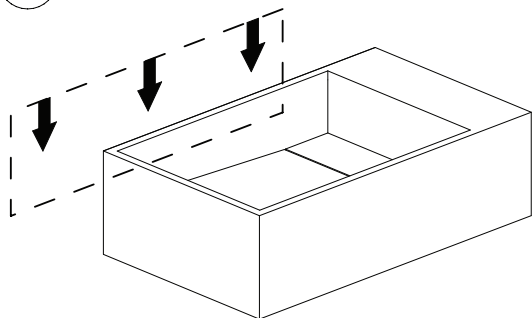
Structure: 5 years | Finish: 5 years

# INSTALLATION GUIDE

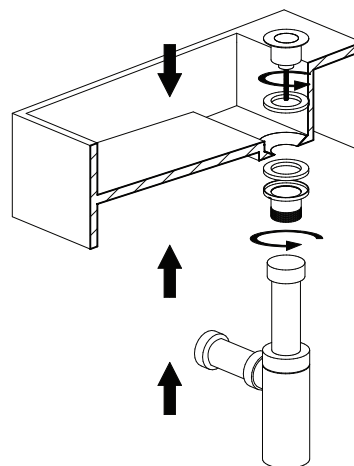
This product must be installed by a licensed tradesperson  
 This is a general installation guide - there are many factors that are involved that can alter the installation method.



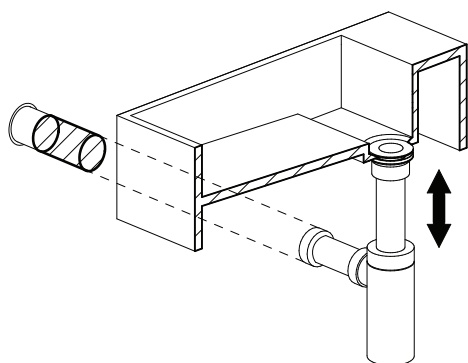
1 Check the desired height of basin from floor.



2 Fit waste and trap to basin.

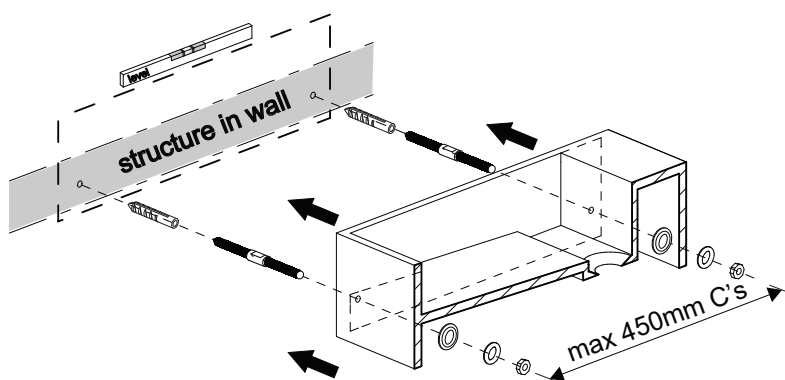


3 Hold basin against wall aligning outlet of trap with waste pipe. Extend telescopic trap up or down to find desired height & cut waste to suit trap.



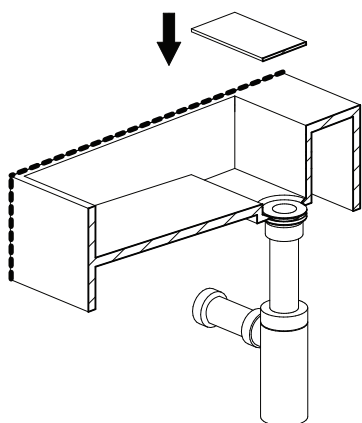
4 If correct height and position is suitable, level the top of the basin & mark out desired position.






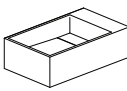
Drill holes through the back of basin into structure within wall with a wood drill bit at maximum 450mm centres. Fix basin into structural support in wall.



5 Secure plumbing to basin and wall outlet. Test by running water through the waste. Place the cover plate over drain.

Silicone top and sides of basin  
 If necessary.



IN THE BOX	 2 x Wall plug	 2 x Metal washer
	 2 x Hanger bolt	 2 x Nut
	 2 x Plastic washer	 1 x Basin

# INSTALLATION - MINI SPOUT DETAIL

Note: It is recommended this product be used in conjunction with **ABI's** mini wall mounted spout due to a limited reach distance to basin waste.

