

Note: Dimensions are nominal measurements only

SPECIFICATIONS

RECOMMENDED USE

Domestic

COLOUR AVAILABILITY



FINISH / COATING

Brushed Brass - Advanced electroplating application (AEA)

CONSTRUCTION

Solid Brass

MOUNTING HARDWARE INCLUDED

Yes

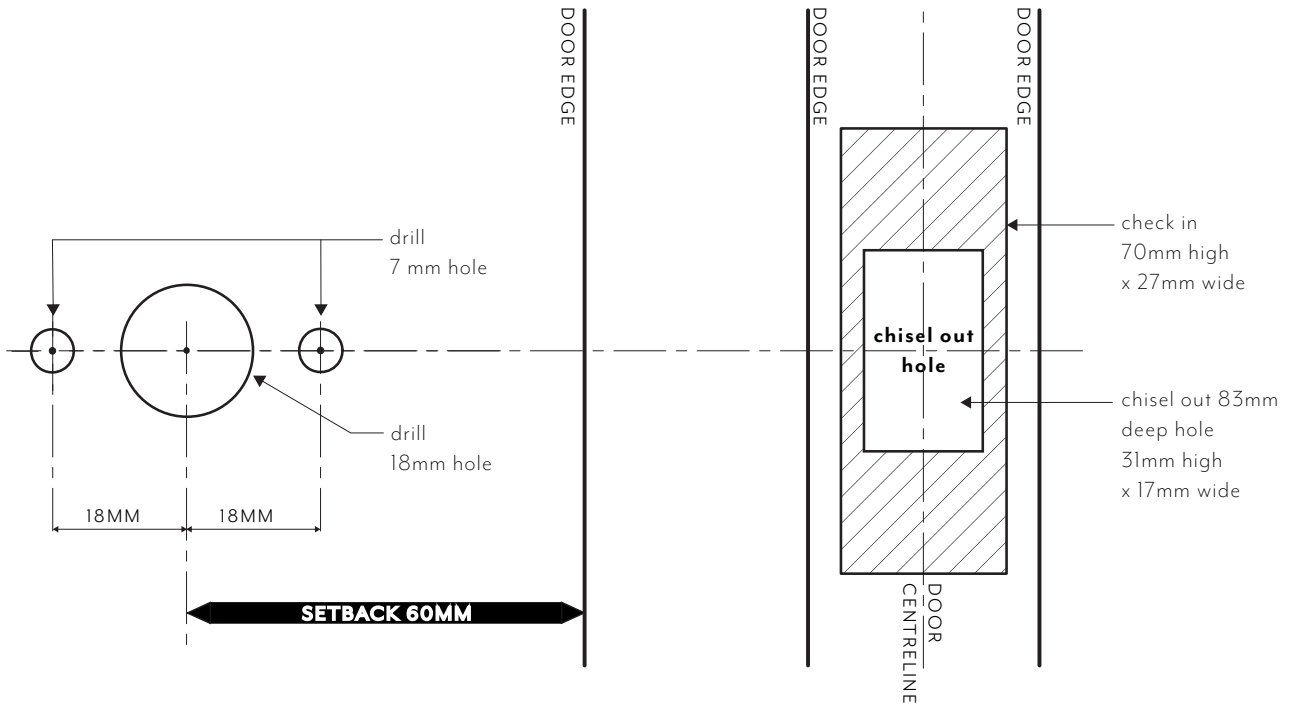
MOUNTS FROM

Front

WARRANTY

5 years structural warranty
2 year finish coating warranty

DOOR CUTTING GUIDE



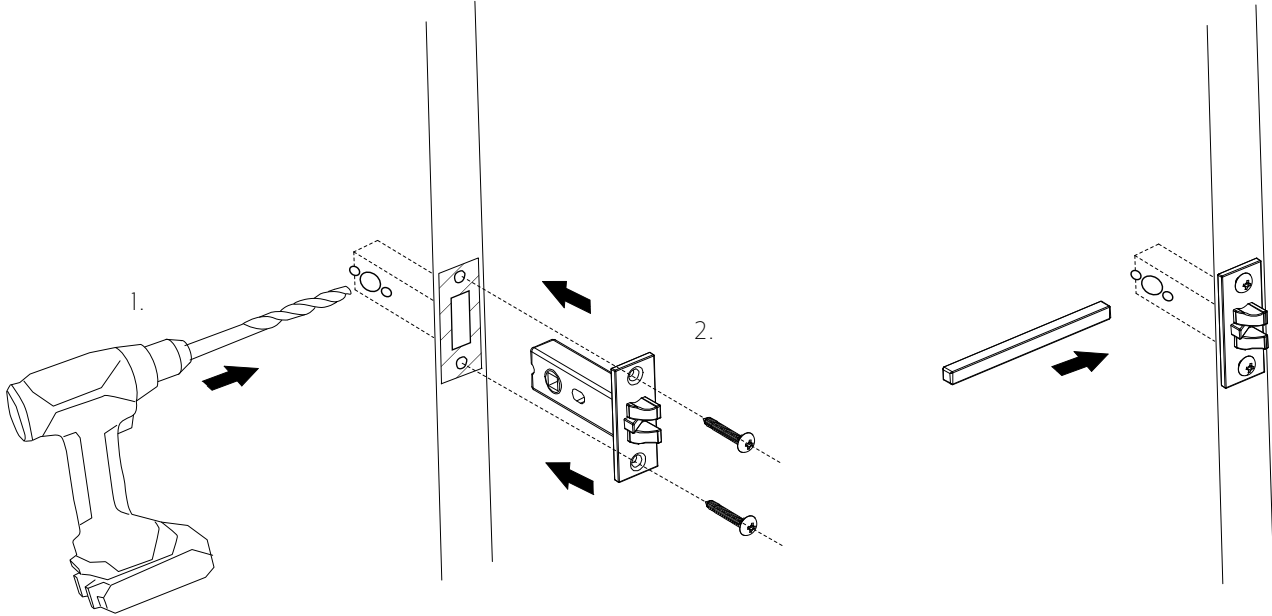
INSTALLATION GUIDE

Note: This product must be installed by a licensed tradesperson.
This is a general installation guide - there are many factors that are involved that can alter the installation method.



1. Drill prescribed holes into door as per door cutting guide.
2. Install the latch into prescribed hole.

2. Insert latch bolt into hole.



3. Use connection screws to install spring mechanism.

4. On both sides of door, fix remaining screws through handles into door panel. Mount cover plate to handles.

