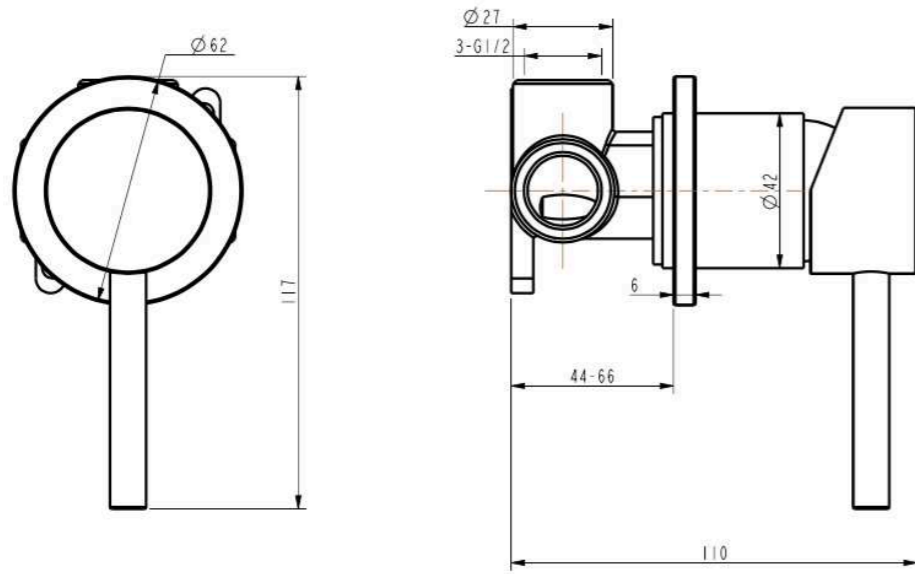


ELYSIAN SHOWER MIXER



SPECIFICATIONS

RECOMMENDED USE

Domestic

COLOUR AVAILABILITY



PRESSURE RATING

Recommended minimum working pressure 150kPa
Recommended maximum working pressure 500kPa
Hot and cold water inlet pressure should be equal

TEMPERATURE RATING

Maximum continuous working temperature 75°C
If the water temperature exceeds 75°C, an approved tempering valve must be fitted

SUITABLE HOT WATER UNITS

Storage tank: Yes
Continuous Flow: Yes
Gravity Feed: Not suitable

STANDARDS

****WHEN PAIRED WITH ELYSIAN SPOUT****
WELS Star Rating(5 Star) – Nominal Flow Rate(5.5 L/M)
Registration No.(T32356)

WARRANTY

Structure: 25 years | Finish: 5 years | Cartridge: 10 years

Disclaimer: Products in this specification manual must by regulation be installed by licensed and registered trade people. The manufacturer/distributor reserves the right to vary specifications or delete models from their range without prior notification. Dimensions are nominal measurements only. Dimensions and set-outs listed are correct at time of publication however the manufacturer/distributor takes no responsibility for printing errors. All ABI Products are designed in Australia. Copyright ABI Interiors 2019. WWW.ABIINTERIORS.COM.AU

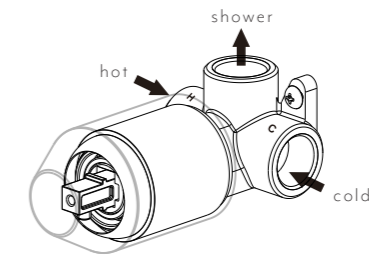
INSTALLATION MANUAL

This product must be installed by a qualified plumber.

- 1 Fasten screws to secure the shower mixer assembly in place.

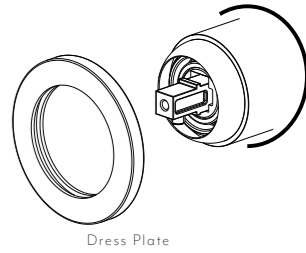


- 2 Attach water supply and water outlet. TEST AND CHECK FOR LEAKS

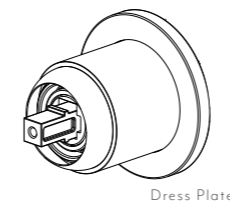


- 3 Create a 45mm round hole in cement sheet and tiles

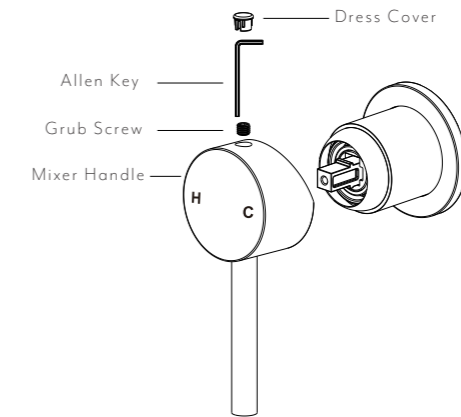
Remove the protective cover. Push the dress plate over the shower mixer assembly gently.



- 4 Assemble the plate and fix it in place.

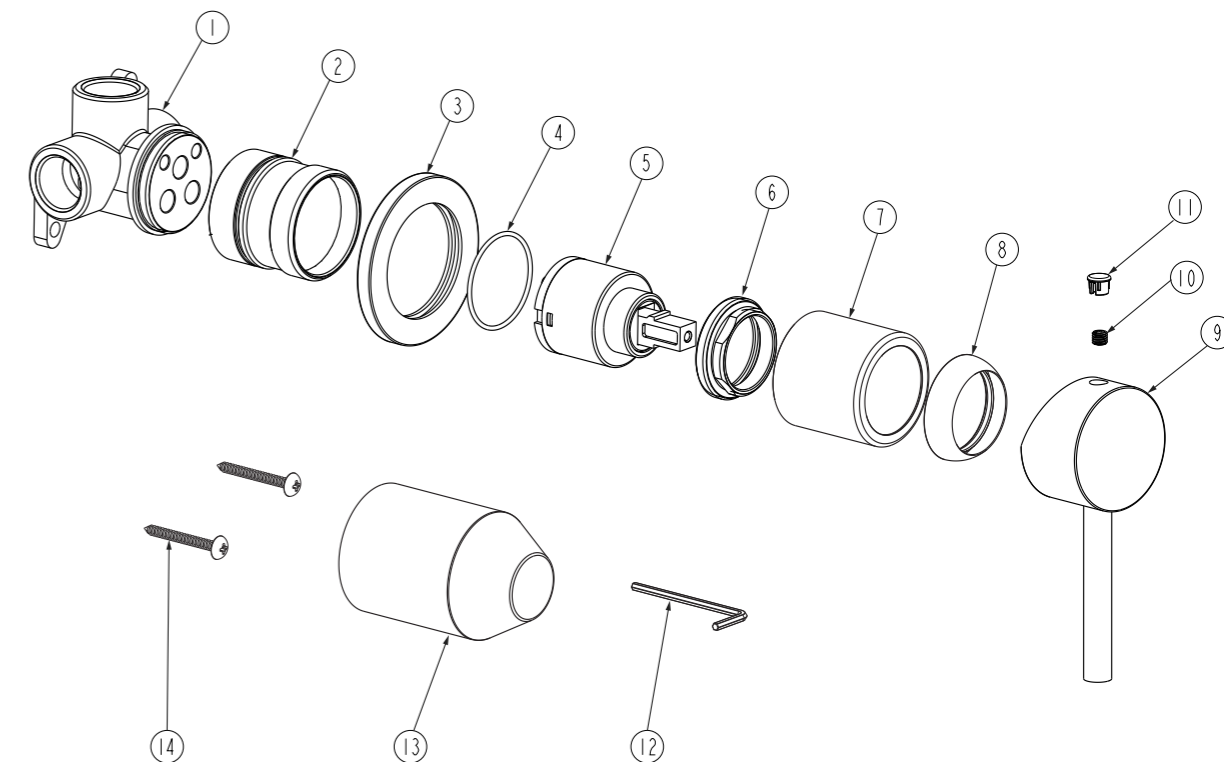


- 5 Push in the rubber gasket to mixer handle. Fasten the grub screw firmly with the allen key



EXPLODED VIEW

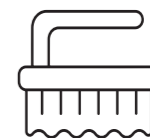
- Item Description Code
- 1-2 Body
 - 3 Back Plate
 - 4 Rubber Ring
 - 5 Cartridge
 - 6 Locking Nut
 - 7 Sleeve
 - 8 Dome
 - 9-12 Handle
 - 13 Allen Key
 - 14 Protective Case
 - 15 Fixing Screws



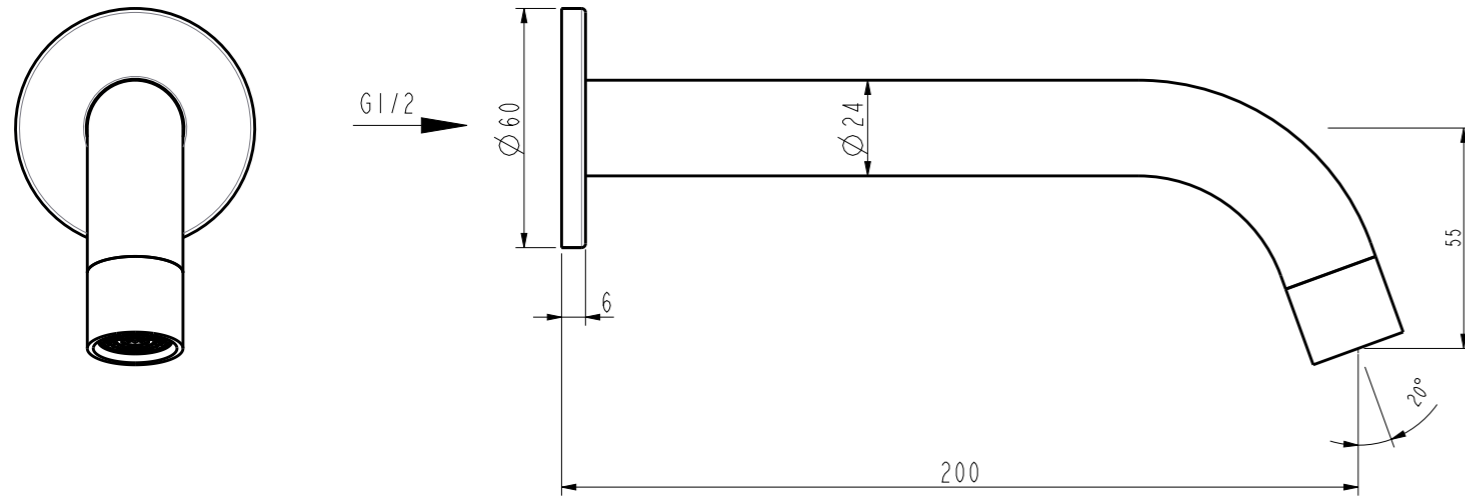
Regularly clean with mild liquid detergent or soap and water



DO NOT use cream cleaners or bleach. These substances are abrasive



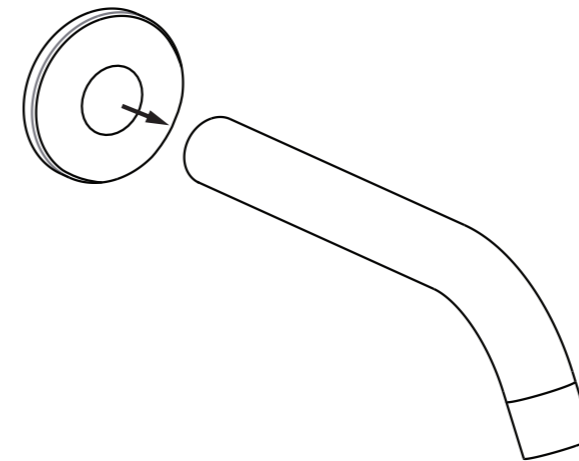
DO NOT use cleaning pads with abrasive surfaces as this may scratch the material



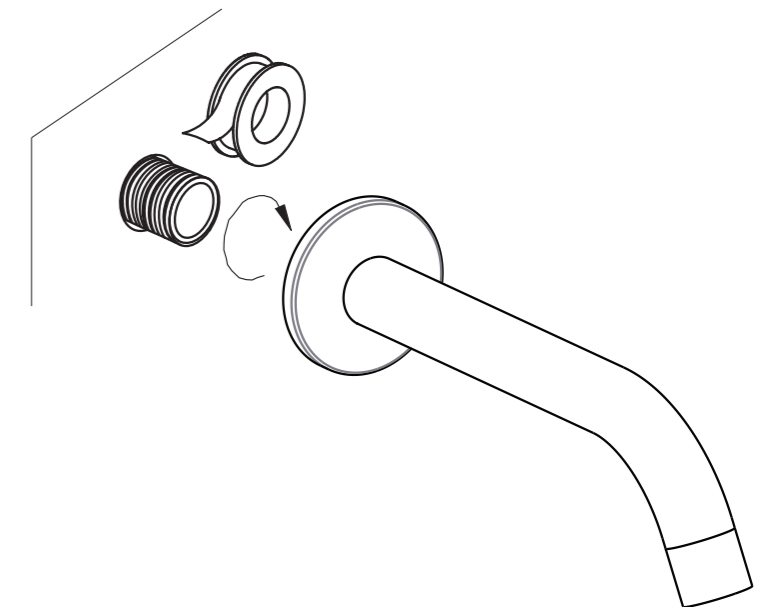
INSTALLATION MANUAL

This product must be installed by a licensed plumber

- 1 Slide the back plate onto the spout - make sure that the rubber is firmly in place to protect the spout and stop the back plate from moving around



- 2 Apply the teflon tape to the brass nipple. Twist the spout on and hand tighten.



SPECIFICATIONS

RECOMMENDED USE

Domestic

COLOUR AVAILABILITY



CONSTRUCTION

Solid Brass

FINISH / COATING

ABI's Heat Shield – Industrial Grade PVD Electro Colouring System

WARRANTY

Structure: 25 years | Finish: 5 years

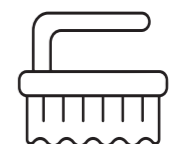
Disclaimer: Products in this specification manual must by regulation be installed by licensed and registered trade people. The manufacturer/distributor reserves the right to vary specifications or delete models from their range without prior notification. Dimensions are nominal measurements only. Dimensions and set-outs listed are correct at time of publication however the manufacturer/distributor takes no responsibility for printing errors. All ABI Products are designed in Australia. Copyright ABI Interiors 2019. WWW.ABIINTERIORS.COM.AU



Regularly clean with mild liquid detergent or soap and water



DO NOT use cream cleaners or bleach. These substances are abrasive



DO NOT use cleaning pads with abrasive surfaces as this may scratch the material