

- 1 Using fixing points in mixer body (1). Fasten into place allowing for finished wall (2).
- 2 Connect hot & cold, aux outlet (4) & main outlet (3), test with pressure. The main outlet (3) will be the default outlet when water is first turned on (For example if water is to come out of the rain shower head by default the line of this fixture should be connected to main outlet)
- 3 When installing wall sheeting ensure hole cutout size does not exceed the coverplate (5) coverage area - Ensure all entry points around mixer body are sealed to prevent water entry
- 4 Once wall sheeting is completed, slide the cover plate hard back to wall, fit handle (6) and tighten grommet screw on handle using supplied hex key.

SPECIFICATIONS

RECOMMENDED USE

Domestic

COLOUR AVAILABILITY



PRESSURE RATING

Recommended minimum working pressure 150kPa
Recommended maximum working pressure 500kPa
Hot and cold water inlet pressure should be equal

TEMPERATURE RATING

Maximum continuous working temperature 75°C
If the water temperature exceeds 75°C, an approved tempering valve must be fitted

SUITABLE HOT WATER UNITS

Storage tank: Yes
Continuous Flow: Yes
Gravity Feed: Not suitable

STANDARDS

WELS Star Rating(5 Star) - Nominal Flow Rate(5.5 L/M)
Registration No.(T32356)

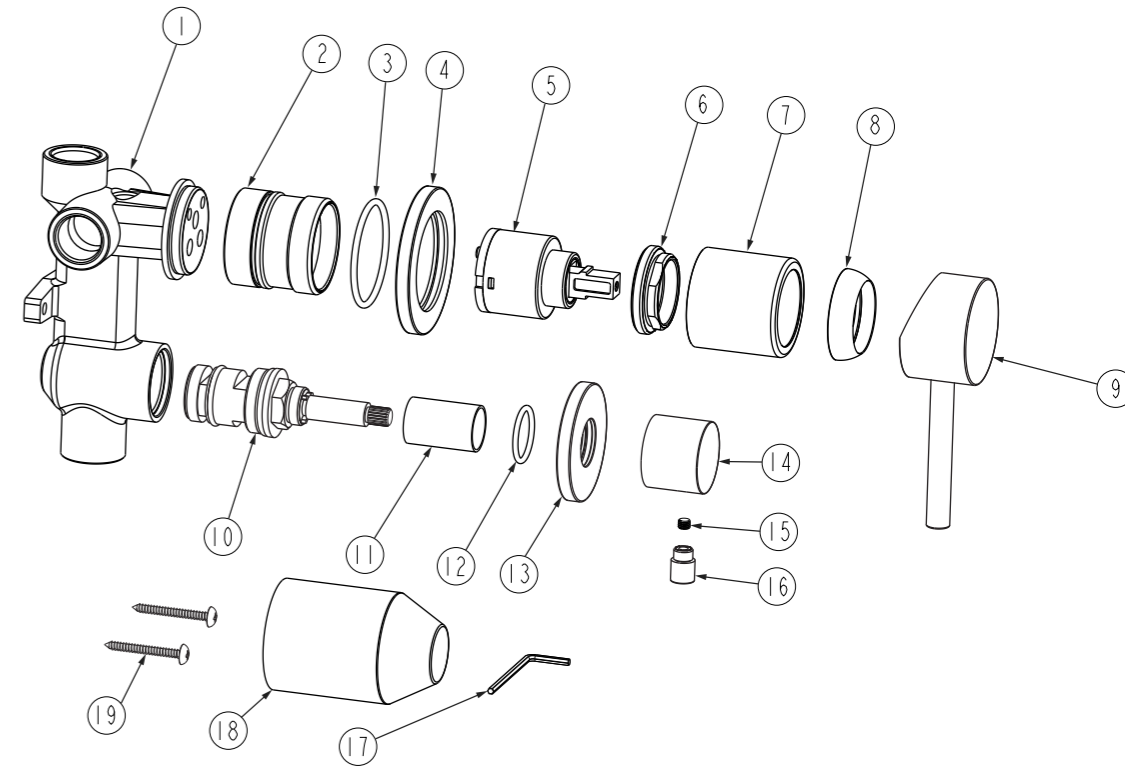
WARRANTY

Structure: 25 years | Finish: 5 years | Cartridge: 10 years

EXPLODED VIEW

Item Description Code

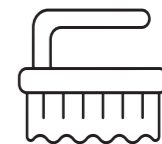
- 1-2 Body
- 3 O-Ring
- 4 Body Back Plate
- 5 Cartridge
- 6 Locking Nut
- 7 Body Sleeve
- 8 Dome
- 9 Handle
- 10-12 Button Components
- 13 Button Back Plate
- 14-16 Button
- 17 Allen Key
- 18 Protective Case
- 21 Fixing Screws



Regularly clean with mild liquid detergent or soap and water



DO NOT use cream cleaners or bleach. These substances are abrasive



DO NOT use cleaning pads with abrasive surfaces as this may scratch the material