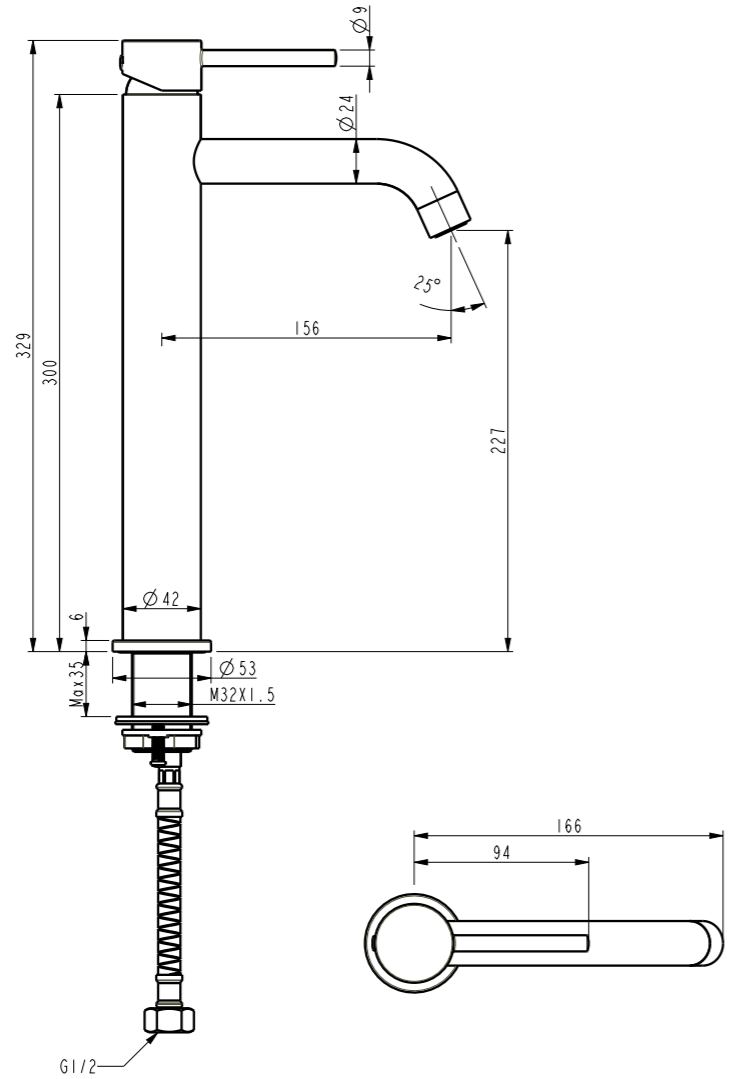


ELYSIAN EXTENDED BASIN MIXER



SPECIFICATIONS

RECOMMENDED USE

Domestic

COLOUR AVAILABILITY



PRESSURE RATING

Maximum continuous operating pressure 1000kPa.W. For best performance and longer life we recommend 150-500kPa. Hot and cold water inlet pressure should be equal.

TEMPERATURE RATING

Maximum continuous working temperature 80°C

SUITABLE HOT WATER UNITS

Storage tank: Yes
Continuous Flow: Yes
Gravity Feed: Not suitable

WATER EFFICIENCY

WELS Star Rating(5Star) – Nominal Flow Rate(5.5L/M)
Registration No.(T10583)

WARRANTY

Structure: 25 years | Finish: 5 years | Cartridge: 10 years

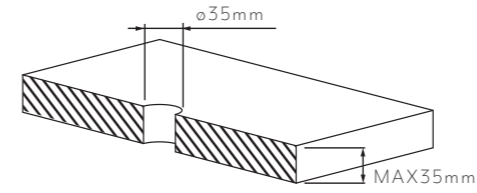
Disclaimer: Products in this specification manual must by regulation be installed by licensed and registered trade people. The manufacturer/distributor reserves the right to vary specifications or delete models from their range without prior notification. Dimensions are nominal measurements only. Dimensions and set-outs listed are correct at time of publication however the manufacturer/distributor takes no responsibility for printing errors. All ABI Products are designed in Australia. Copyright ABI Interiors 2019. WWW.ABIINTERIORS.COM.AU

INSTALLATION MANUAL

This product must be installed by a qualified plumber.

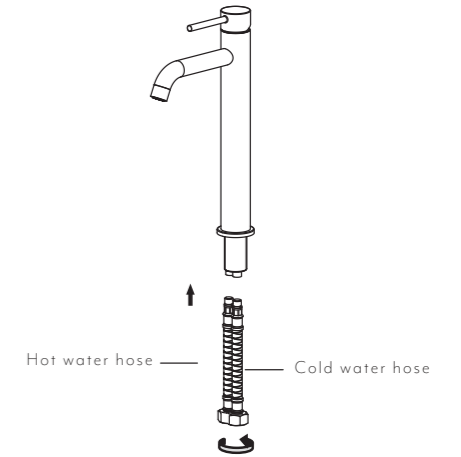
Installation should comply with relevant local authority requirements.

- 1 Mark hole in benchtop at desired position and drill a 35mm hole.

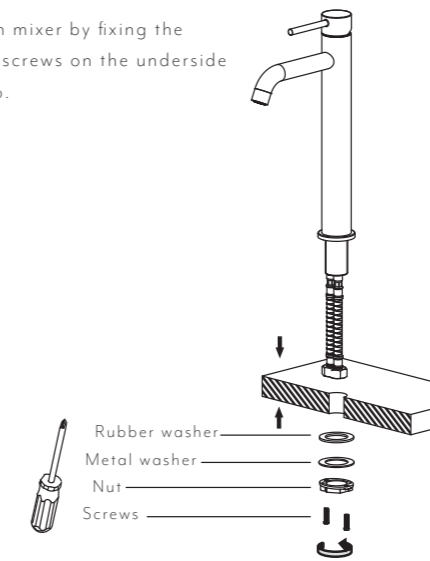


** If installing into a thicker benchtop - a longer threaded rod is required to fix the Basin Mixer down.

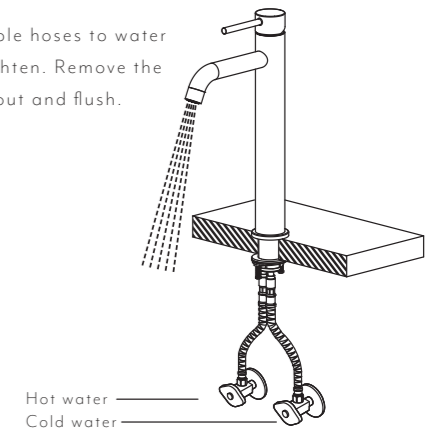
- 2 As shown in the figure, connect the H & C flexible hoses. ABI recommends applying appropriate lubricant to o-rings



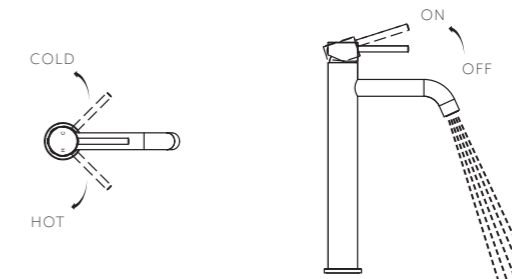
- 3 Install the basin mixer by fixing the washers, nut & screws on the underside of the benchtop.



- 4 Attach the two flexible hoses to water supply and hand tighten. Remove the aerator from the spout and flush. Re-install aerator



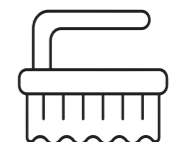
MIXER OPERATION



Regularly clean with mild liquid detergent or soap and water



DO NOT use cream cleaners or bleach. These substances are abrasive



DO NOT use cleaning pads with abrasive surfaces as this may scratch the material