

Note: Dimensions are nominal measurements only

SPECIFICATIONS

RECOMMENDED USE

Domestic

COLOUR AVAILABILITY



PRESSURE RATING

Recommended minimum working pressure 150kPa
Recommended maximum working pressure 500kPa
Hot and cold water inlet pressure should be equal

TEMPERATURE RATING

Maximum continuous working temperature 75°C
If the water temperature exceeds 75°C, an approved tempering valve must be fitted

SUITABLE HOT WATER UNITS

Storage tank: Yes
Continuous Flow: Yes

WARRANTY

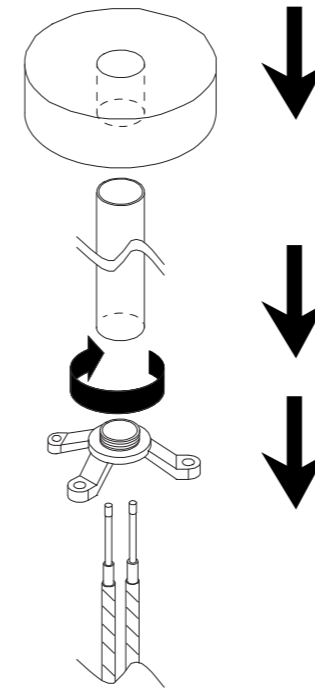
Structure: 25 years | Finish: 5 years | Cartridge: 10 years

INSTALLATION GUIDE

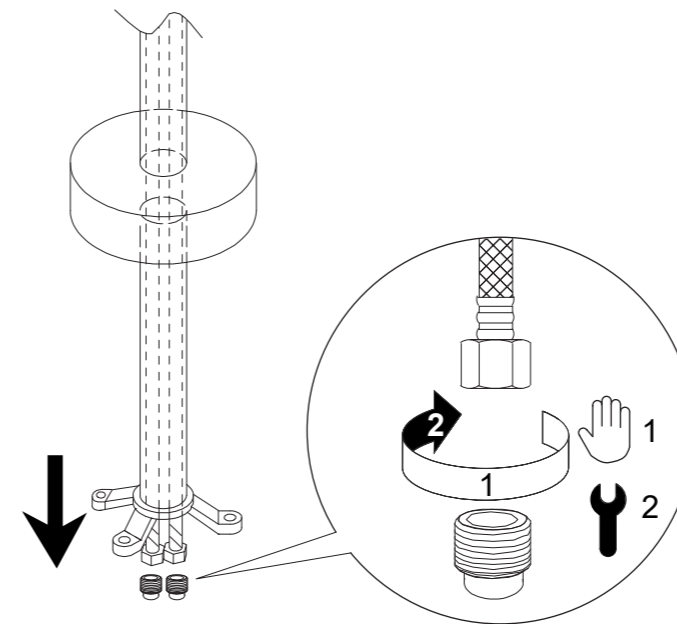
Note: This product must be installed by a licensed plumber.
This is a general installation guide - there are many factors that are involved that can alter the installation method.

- 1 Feed the two flexible hoses through the floor bracket, riser pipe & cover pate.

Hand tighten riser pipe into the bracket.

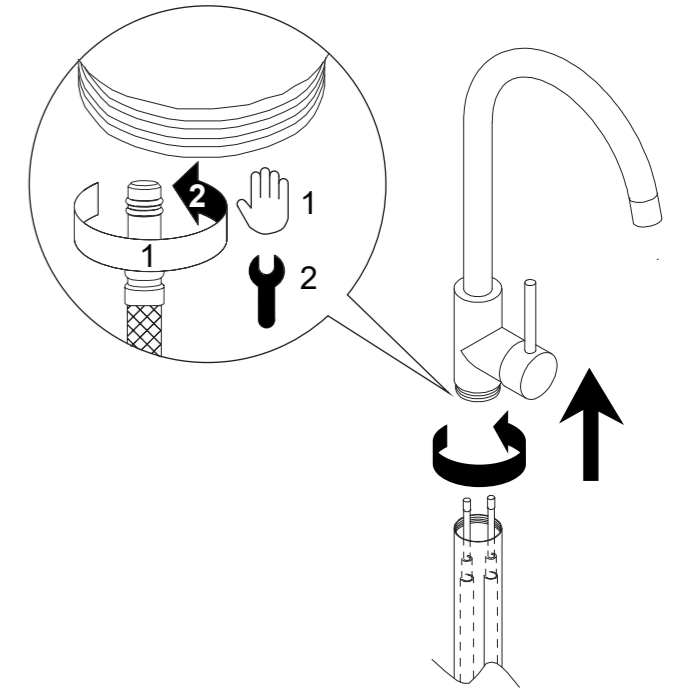


- 3 Connect the two flexible hoses into the water supply by hand tightening & making a final adjustment with a spanner. **Note:** overtightening can lead to kinked pipes.

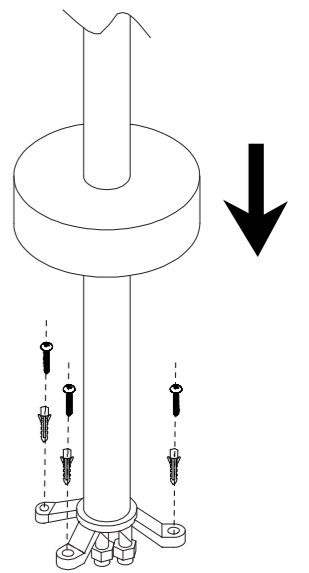


- 2 Connect the two flexible hoses into the mixer by hand tightening & making a final adjustment with a spanner. **Note:** overtightening can lead to kinked pipes.

Hand tighten riser pipe on to mixer.



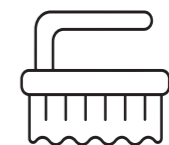
- 4 Screw mounting bracket to floor using fixings provided. Mount cover plate into position.



Regularly clean with mild liquid detergent or soap and water



DO NOT use cream cleaners or bleach. These substances are abrasive



DO NOT use cleaning pads with abrasive surfaces as this may scratch the material