

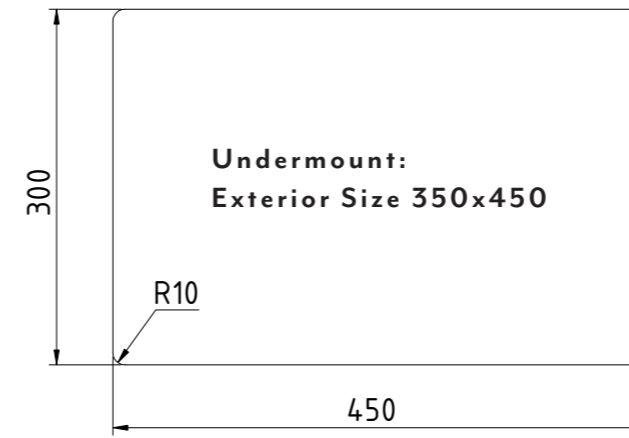
Note: Dimensions are nominal measurements only

SPECIFICATIONS

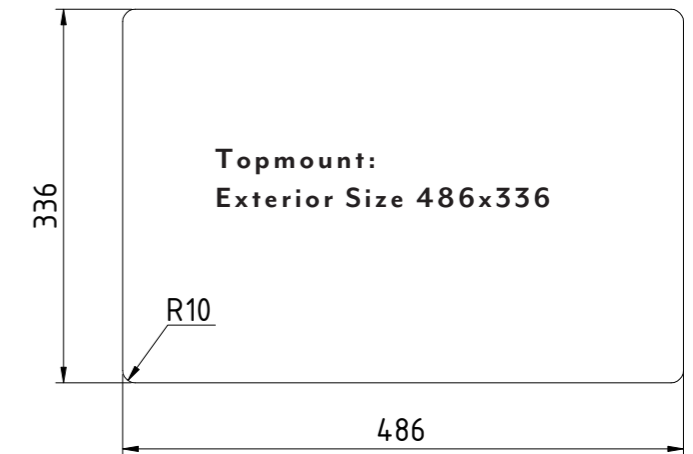
RECOMMENDED USE	Domestic, Commercial
COLOUR AVAILABILITY	
MATERIAL	Stainless Steel
INSTALLATION	Undermount, Top Mount
OVERFLOW	Yes
WARRANTY	Structure: 25 years Finish: 5 years
LITRE	9.45L

CUT-OUT TEMPLATES

UNDERMOUNT INSTALLATION



TOPMOUNT INSTALLATION



Note: Dimensions are nominal measurements only

INSTALLATION GUIDE - UNDERMOUNT BASIN

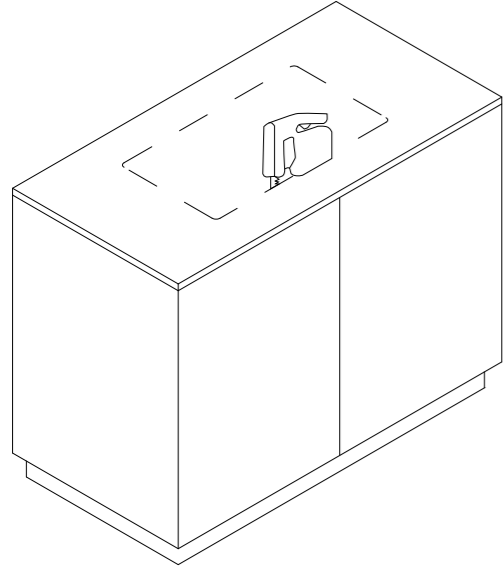
Note: This product must be installed by a licensed tradesperson. This is a general installation guide - there are many factors that are involved that can alter the installation method.



- 1 Mark out desired location of basin using the cut out template dimensions provided.

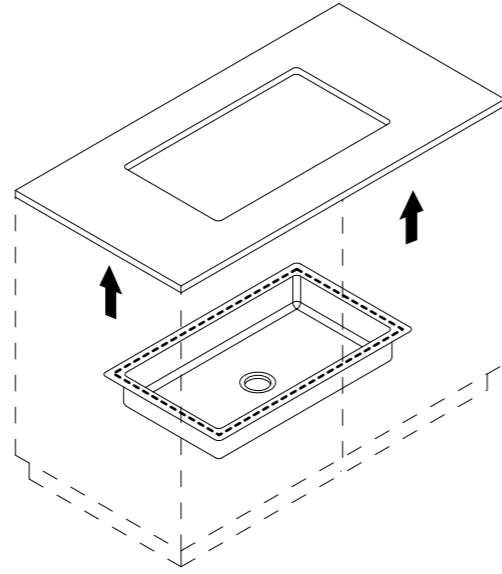
Cut out basin hole using preferred method.

Note: If cutting a stone benchtop it will need to be cut in a controlled environment by a licensed tradesperson as per OH&S regulations.



- 2 Clean around the edge of benchtop basin hole & perimeter of basin rim.

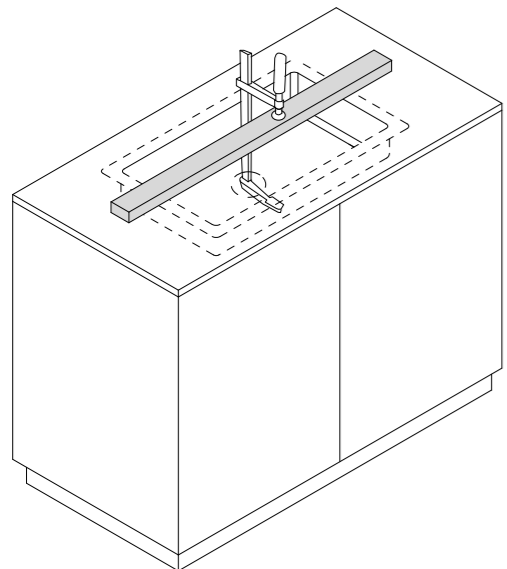
Position the basin in the cabinet below the benchtop hole. Apply silicon to the perimeter of basin rim & lift into position.



- 3 Lay a piece of timber across the benchtop hole & position in line with basin hole below.

Place clamp through the sink hole & tighten the clamp to hold the basin in place. Wipe away any excess silicon around benchtop opening.

Note: Use rags to protect surfaces when either the clamp or timber is making contact with the benchtop or basin.

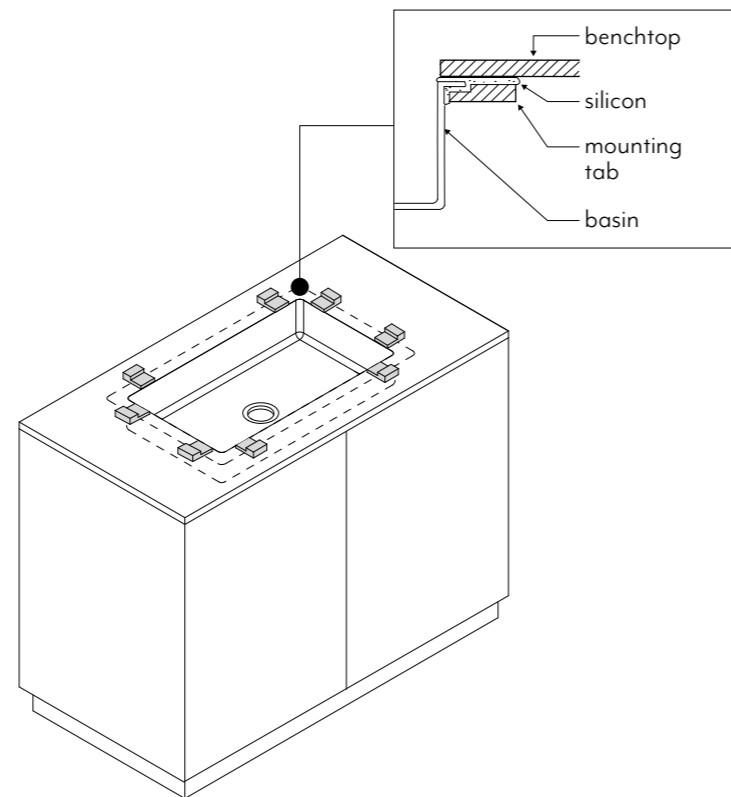


- 4 Using the benchtop material build rebated mounting tabs.

Clean around the underside perimeter of the basin & the mounting tabs.

Apply silicon to the mounting tab & fix it to the underside of the benchtop & basin rim. Repeat tabs at regular intervals.

Wipe away any excess silicon around mounting tabs.



INSTALLATION GUIDE - TOPMOUNT BASIN

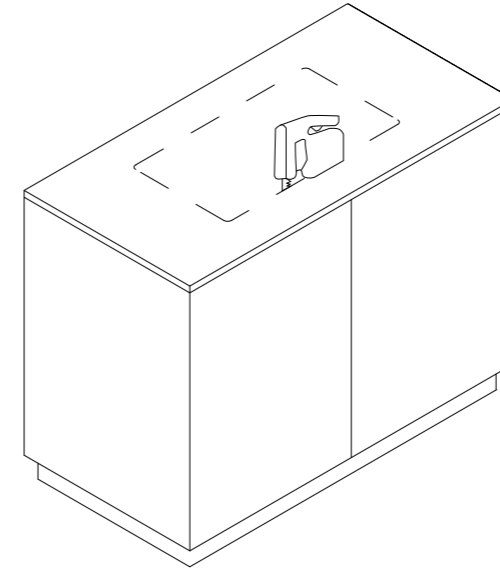
Note: This product must be installed by a licensed tradesperson. This is a general installation guide - there are many factors that are involved that can alter the installation method.



- 1 Mark out desired location of sink using the cut out template dimensions provided.

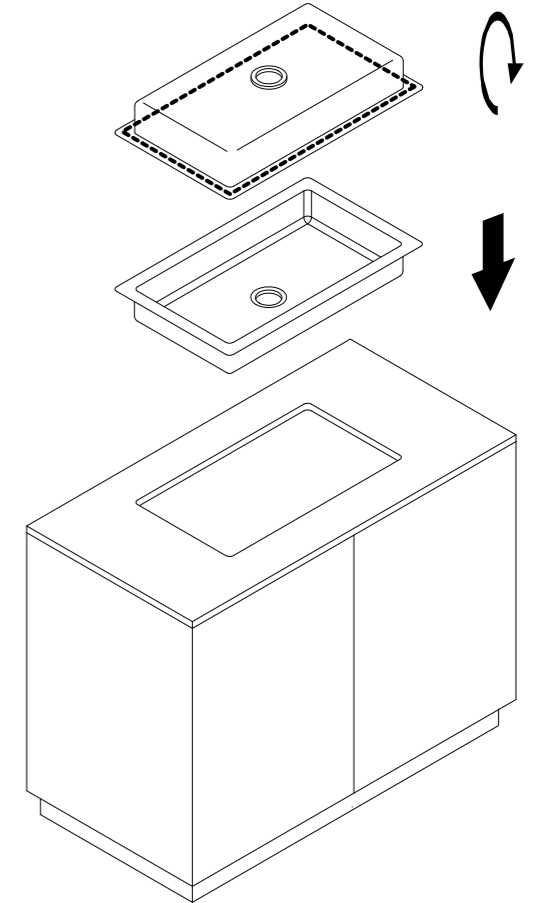
Cut out basin hole using preferred method.

Note: If cutting a stone benchtop it will need to be cut in a controlled environment by a licensed tradesperson as per OH&S regulations.



- 2 Clean around the edge of benchtop basin hole & perimeter of basin rim.

Apply silicon to the underside perimeter of basin rim & lower into position.



- 3 Wipe away any excess silicon around basin rim.

