

SPECIFICATIONS

RECOMMENDED USE

Domestic, Commercial

COLOUR AVAILABILITY



MATERIAL

Stainless Steel

CONSTRUCTION

Soundproofing Layer & 10mm Radius Corners

INSTALLATION

Undermount, Top Mount

OVERFLOW

N/A

WARRANTY

Structure: 25 years | Finish: 5 years

LITRE

50L

INSTALLATION

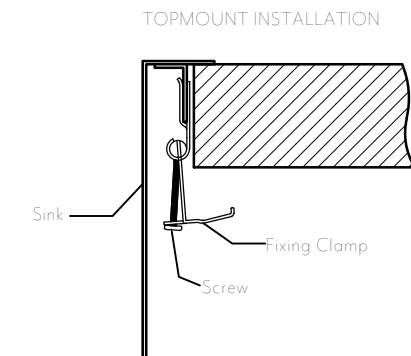
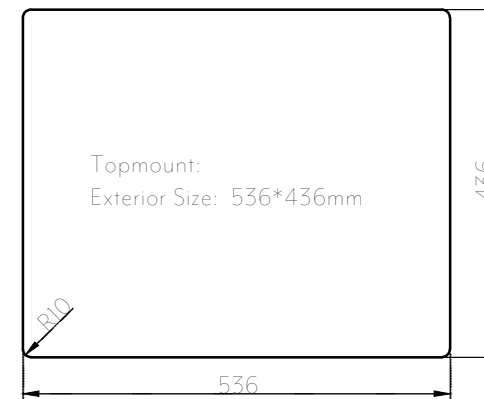
ABI will not be held responsible for any damage caused by leakage or faulty installation.

ABI has a strict quality controlling process however please check the sink prior to installation.

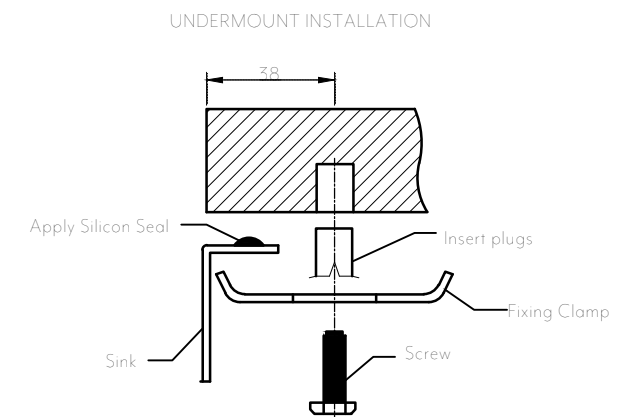
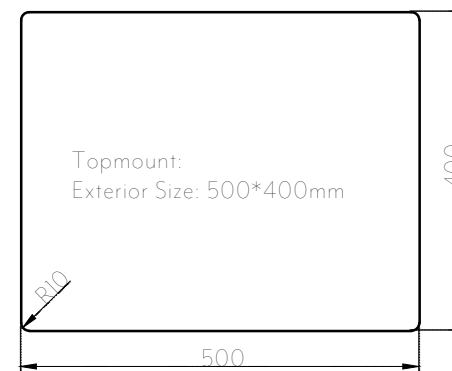
Please ensure proper care is taken during installation to avoid scratching the Stainless Steel.

CUT-OUT TEMPLATES

TOP MOUNT INSTALLATION



UNDERMOUNT INSTALLATION



RACK DIMENSIONS

