



SPECIFICATIONS

RECOMMENDED USE	Domestic
COLOUR AVAILABILITY	 
FINISH / COATING	Brushed Brass - Advanced electroplating application (AEA) Matte Black - Lacquer
CONSTRUCTION	Solid Brass
MOUNTING HARDWARE INCLUDED	Yes
MOUNTS FROM	Front
HOLE DISTANCE	N/A
WEIGHT	0.08kg
WARRANTY	5 years structural warranty 1 year finish coating warranty

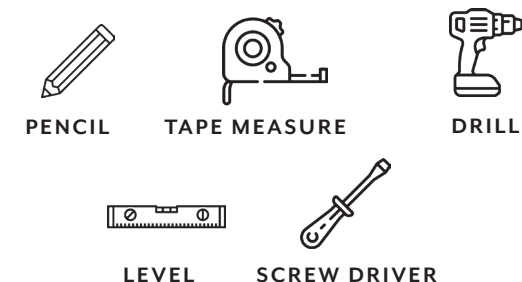
INSTALLATION INSTRUCTIONS

Important Note

Open and inspect the item for any shipping damages. If you find damages, please contact our customer service team on (07) 5520 2775 or alternatively email sales@abi-international.com.au

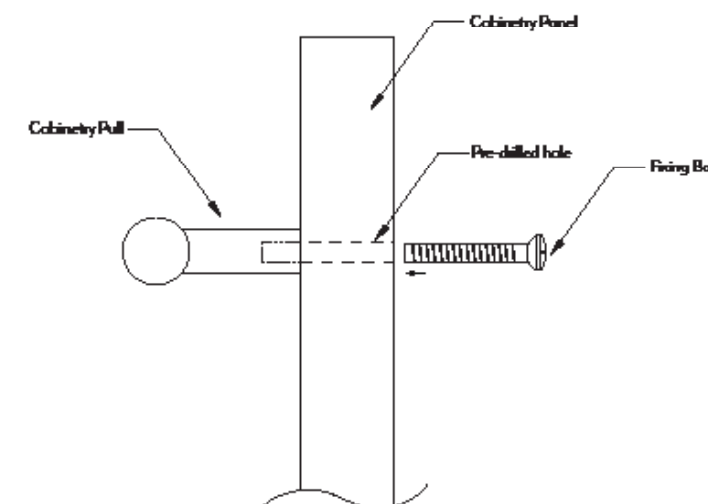
We recommend a qualified trades person to install ABI fixtures. ABI accepts no liability for any damage to the drawer or cabinet and personal injury during installation.

TOOLS AND MATERIALS



INSTALLATION PROCEDURE

1. Determine the position of the cabinetry pull.
2. Use the tape measure to find the center of the cabinetry panel (if you are installing only one pull), or divide your cabinetry panel into quarters or a placement you prefer (if you are installing two pulls on the cabinetry panel).
3. Use the pencil to mark the centre of the holes
4. Drill out the centre of marked holes with a smaller drill bit first. e.g. 2.5mm.
5. Use the level to make sure that the holes are aligned. Adjust the markings, if needed. Then drill correct size hole of 4mm.
6. Mount the pull to the cabinetry and use the screw driver to tighten the bolt.



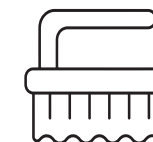
CLEANING AND MAINTENANCE



Regularly clean with mild liquid detergent or soap and water



DO NOT use cream cleaners or bleach. These substances are abrasive



DO NOT use cleaning pads with abrasive surfaces as this may scratch the material