

SPECIFICATIONS

RECOMMENDED USE

Domestic / Commercial

COLOUR AVAILABILITY



MATERIAL

304 Stainless Steel

SIZES

230 & 440mm

INSTALLATION

2 x Screws

WARRANTY

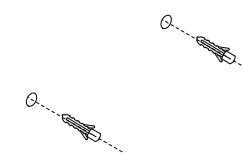
Structure: 10 Years | Finish: 5 Years

INSTALLATION GUIDE

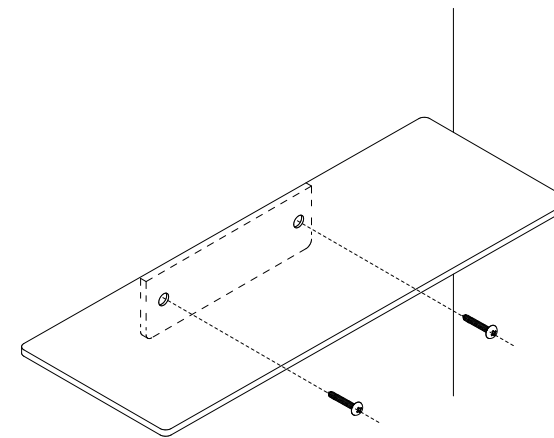
Note: This product must be installed by a licensed trade. This is a general installation guide - there are many factors that are involved that can alter the installation method.

230mm Shelf

- 1 Mark out desired position for shelf.
Drill holes in desired position and insert wall plugs

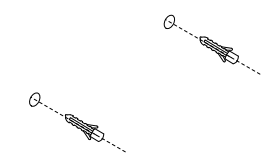


- 2 Fix shelf to wall using fixings provided.



440mm Shelf

- 1 Mark out desired position for shelf.
Drill holes in desired position and insert wall plugs



- 2 Fix shelf to wall using fixings provided.

